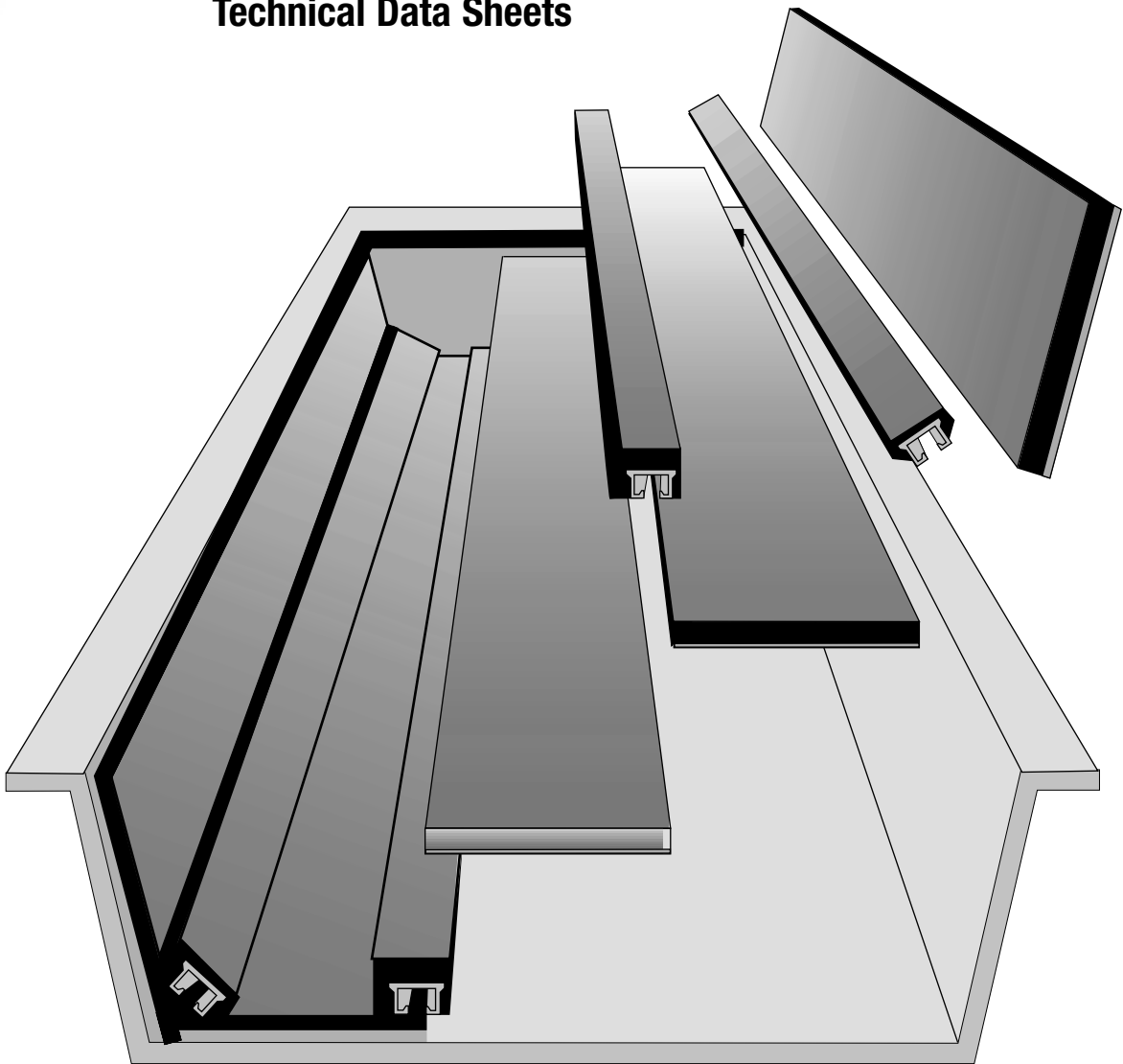




Special Rubber Components

- Protection against Wear
- Prevention of Caking
- Reduction of Noise

Technical Data Sheets



**SPECIAL
RUBBER**



**protects
equipment
& environment**



REMA TIP TOP Special Rubber

The properties of REMA TIP TOP Special rubber, especially designed and developed for specific applications, have proved to be successful in the following fields of application:

- protection against wear – reducing down-times and loss of output
- prevention of caking – ensuring trouble-free operation
- reduction of noise

REMA TIP TOP Special Rubber Components

The components described in the following technical data sheets have been used successfully for many years where large-sized bulk material is handled, processed and transported in large quantities at high speeds.

Advantages of REMA TIP TOP Special Rubber Components

- Good cost-profit relationship
- Long service life
- Easy to install and exchange
- Relatively light weight

These advantages make the REMA TIP TOP Special Rubber Components a preferred construction element for original equipment and plants already in operation.

Available Rubber Qualities

Unless otherwise indicated the standard rubber quality of all components described in the following technical data sheets is REMA LINE 70.

Tolerances

The manufacturing tolerances correspond to DIN 7715, Part 2, Class M4.

Note

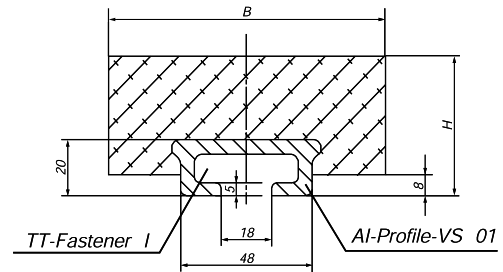
All information indicated in the technical data sheets are based on technical experience; this, however, does not necessarily guarantee the specific properties of a product. We reserve the right to modify technical specifications without prior notice.

Table Of Contents:

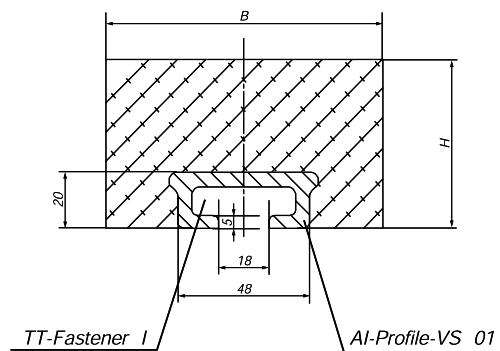
1.	Bars with integrated Fixing Profile
1.1	KG Liner Bars
1.2	ZP Profile Bars
1.3	KG Liner Bars- „V“ – Quality (self-extinguishing)
1.4	ZP Profile Bars - „V“ – Quality (self-extinguishing)
1.5	REMA SLIDE Bars
1.6	TT Fastening Units
2.	Plain Plates and Bars with Metal Base
2.1	Plain Plates
2.1.1	Plain Plates - Fixing Examples
2.2	HDL-Plates
2.2.1	HDL-Plates - Fixing Examples
2.3	Impact Bars - PLF-022
2.3.1	PLF-022 Fastener
3.	Serrated Profile Plates and Bars with Metal Base
3.1	ZP-A Serrated Profile Plates
3.2	UVZ - Plates
3.3	ZP-A and UVZ - Fixing Examples
3.4	PL-022 Impact Bars
3.4.1	PL-022 Fastener
4.	Profile Plates
4.1	ZPL Profile Plates
4.1.1	ZPL - Fastener
4.2	ZP-B Serrated Profile Plates
4.3	ZPLP and ZPLPS Profile Plates

1. Bars with Integrated Fixing Profile

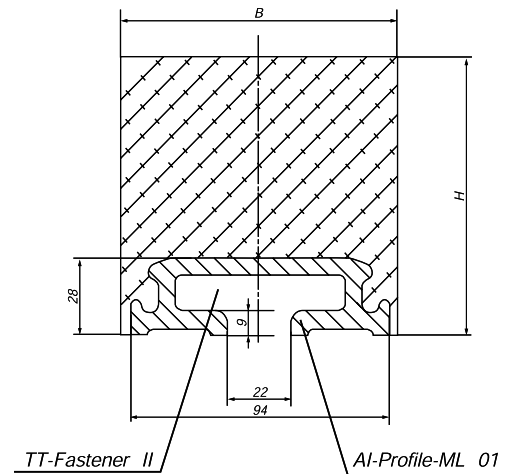
1.1 KG Liner Bars



Ref.No.	Description	Length L (mm)	Width B (mm)	Height H (mm)	Weight (kg)	TT Fastener
539 0014	KG-01	2500	100	50	13	I

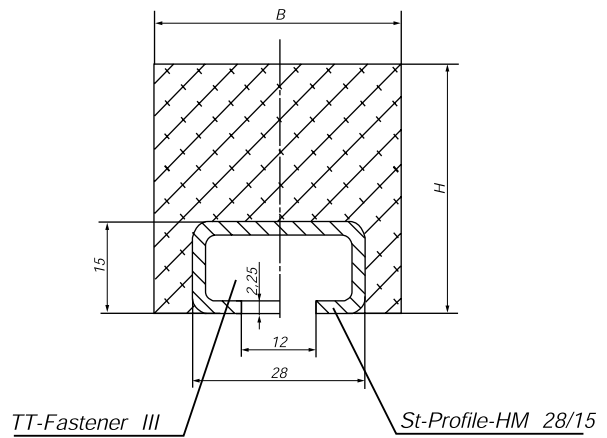


Ref.No.	Description	Length L (mm)	Width B (mm)	Height H (mm)	Weight (kg)	TT Fastener
539 0021	KG-02	2500	100	42	12	I
539 0038	KG-03	2500	100	80	22,5	I
539 0069	KG-06	2500	100	60	16	I
539 0083	KG-08	2500	70	80	16	I

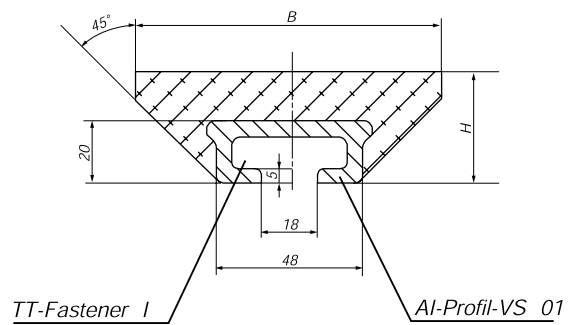


Ref.No.	Description	Length L (mm)	Width B (mm)	Height H (mm)	Weight (kg)	TT Fastener
539 0045	KG-04	2500	100	100	28	II
539 0052	KG-05	2500	150	100	42	II
539 0076	KG-07	2500	150	150	62	II

1.1 KG Liner Bars

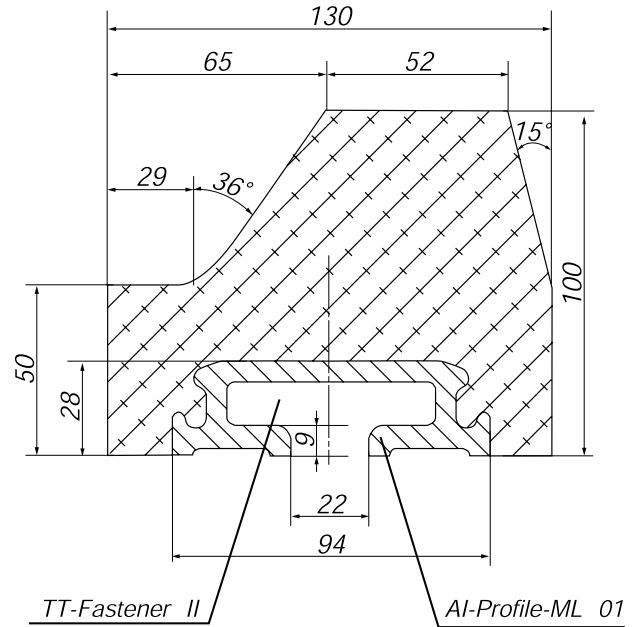


Ref.No.	Description	Length L (mm)	Width B (mm)	Height H (mm)	Weight (kg)	TT Fastener
539 0090	KG-09	1000	40	40	2,3	III

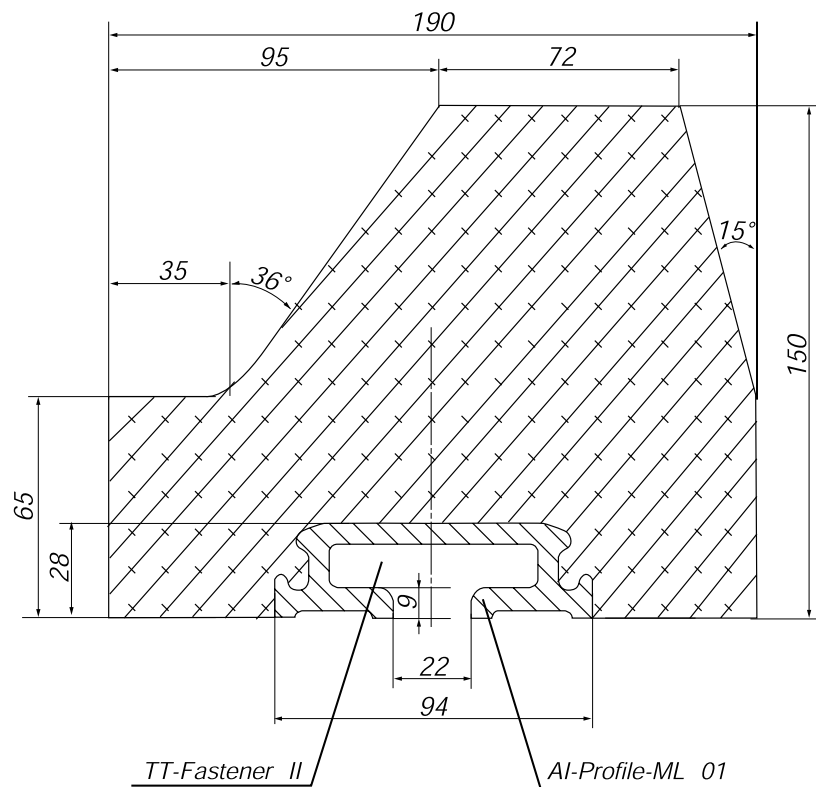


Ref.No.	Description	Length L (mm)	Width B (mm)	Height H (mm)	Weight (kg)	TT Fastener
539 0100	WKG-01	2500	100	36	9	I

1.2 ZP Profile Bars



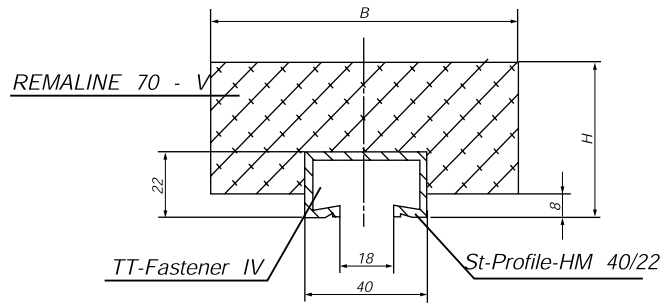
Ref.No.	Description	Length L (mm)	Width B (mm)	Height H (mm)	Weight (kg)	TT Fastener
539 0148	ZP-100	2500	130	100	29	II



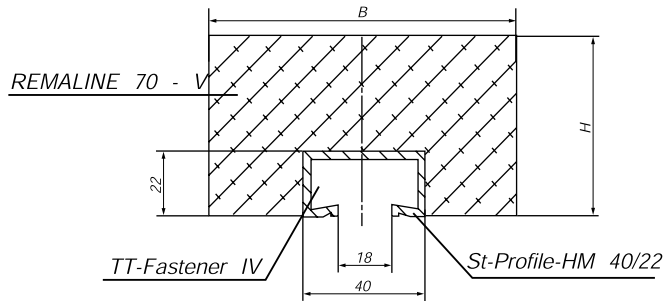
Ref.No.	Description	Length L (mm)	Width B (mm)	Height H (mm)	Weight (kg)	TT Fastener
539 0155	ZP-150	2500	190	150	60	II

1.3 KG Liner Bars „V“-Quality (self-extinguishing)

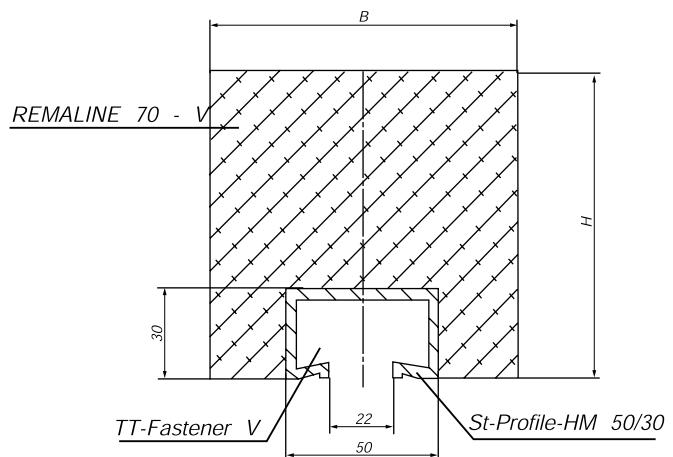
for underground use (LOBA - NW No. 18.43.21 - 65 - 3)



Ref.No.	Description	Length L (mm)	Width B (mm)	Height H (mm)	Weight (kg)	TT Fastener
539 0210	KG-01-V	2500	100	50	20	IV



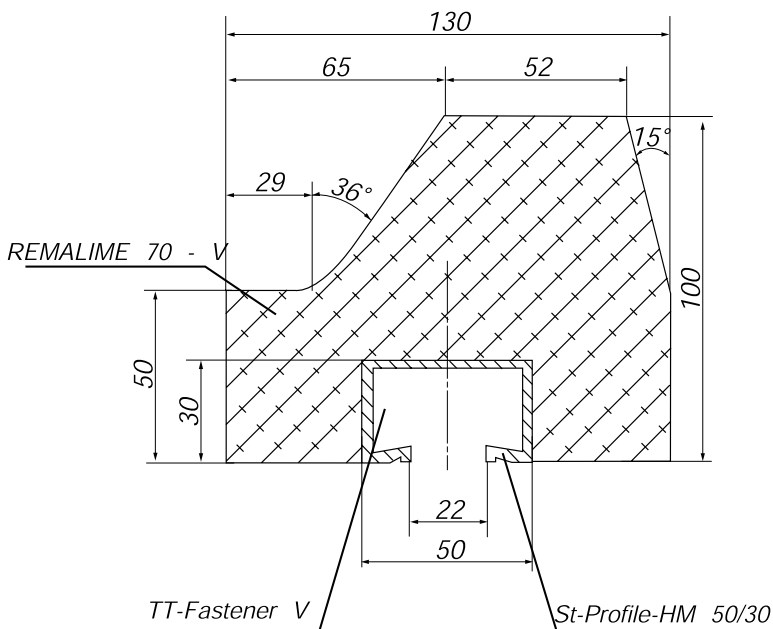
Ref.No.	Description	Length L (mm)	Width B (mm)	Height H (mm)	Weight (kg)	TT Fastener
539 0227	KG-02-V	2500	100	42	16	IV
539 0234	KG-03-V	2500	100	80	30	IV
539 0265	KG-06-V	2500	100	60	23	IV
539 0203	KG-08-V	2500	70	80	21	IV



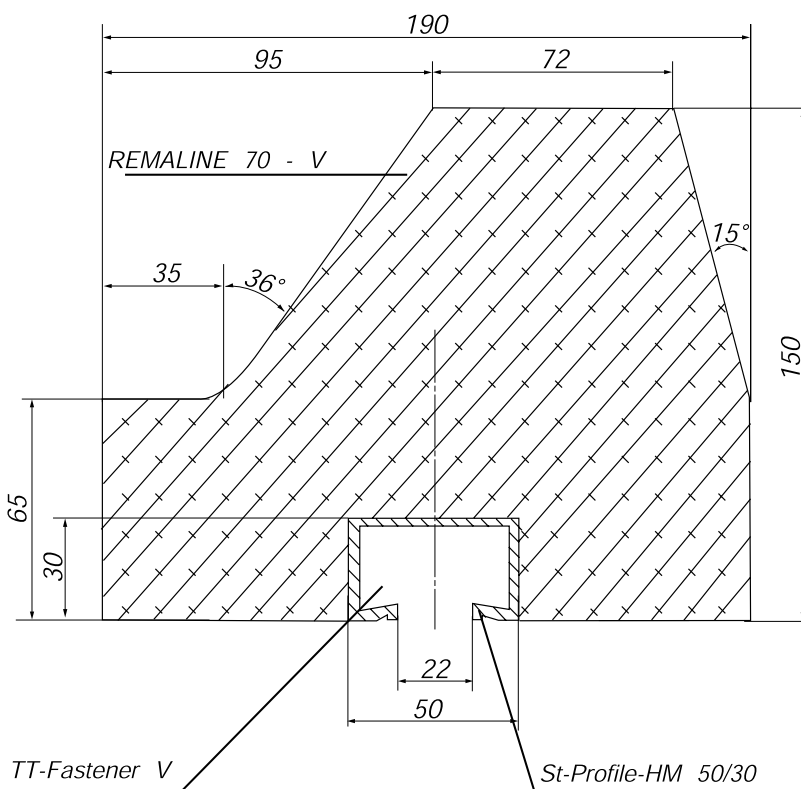
Ref.No.	Description	Length L (mm)	Width B (mm)	Height H (mm)	Weight (kg)	TT Fastener
539 0241	KG-04-V	2500	100	100	36	V
539 0258	KG-05-V	2500	150	100	54	V
539 0272	KG-07-V	2500	150	150	80	V

1.4 ZP Profile Bars „V“-Quality (self-extinguishing)

for underground use (LOBA - NW No. 18.43.21 - 65 - 3)

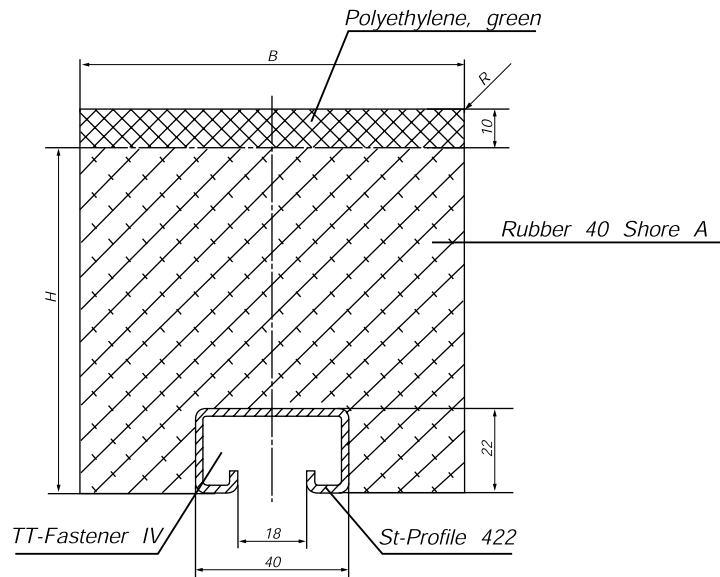


Ref.No.	Description	Length L (mm)	Width B (mm)	Height H (mm)	Weight (kg)	TT Fastener
539 0296	ZP-100-V	2500	130	100	37	V

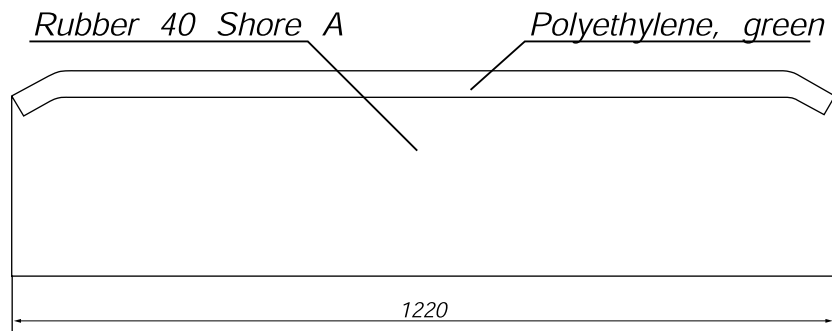


Ref.No.	Description	Length L (mm)	Width B (mm)	Height H (mm)	Weight (kg)	TT Fastener
539 0306	ZP-150-V	2500	190	150	78	V

1.5 REMA SLIDE Bars KG/PE



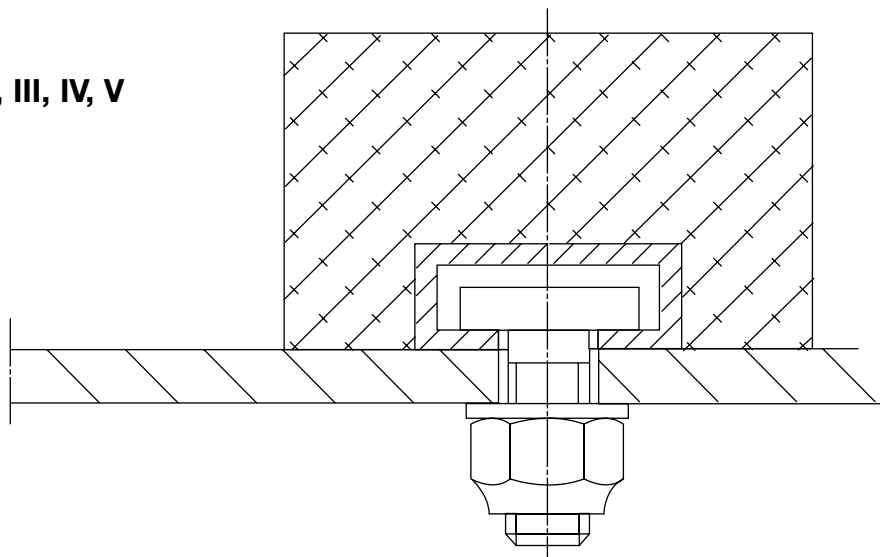
Ref.No.	Description	Length L (mm)	Width B (mm)	Height H (mm)	Weight (kg)	TT Fastener
539 0423	KG-02-PE	1220	100	52	7	IV
539 0430	KG-03-PE	1220	100	80	11	IV
539 0447	KG-04-PE	1220	100	100	13,5	IV



KG-PE Bar, Side View

1.6 TT-Fastening Units

Principle for TT-Fasteners I, II, III, IV, V

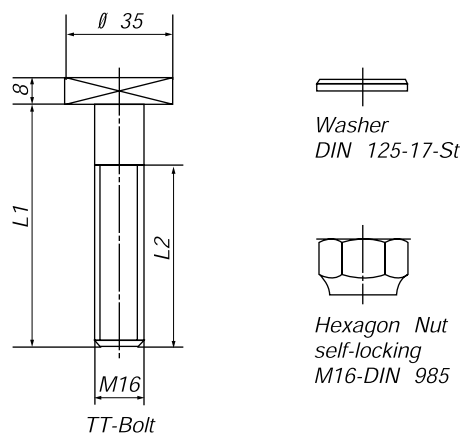


1.6.1 TT-Fastener I

(TT-Bolt, Washer, Nut)

for:

KG-01, KG-02, KG-03, KG-06, KG-08



Ref.No.	Description	L1 (mm)	L2 (mm)
539 1006	TT-Fastener I	M 16x40	25
539 1013	TT-Fastener I	M 16x60	40
539 1020	TT-Fastener I	M 16x80	60
539 1037	TT-Fastener I	M 16x100	70
539 1044	TT-Fastener I	M 16x120	75

Number of fasteners: 4 pieces per metre

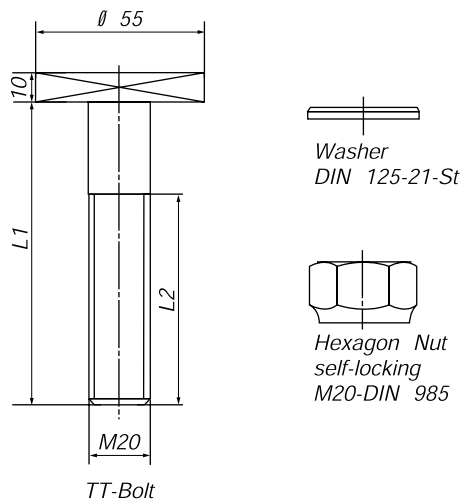
Torque: 90 Nm

1.6.2 TT-Fastener II

(TT-Bolt, Washer, Nut)

for:

KG-04, KG-05, KG-07, ZP-100, ZP-150



Ref.No.	Description	L1 (mm)	L2 (mm)
539 1068	TT-Fastener II	M 20x60	40
539 1075	TT-Fastener II	M 20x80	50
539 1082	TT-Fastener II	M 20x100	70
539 1099	TT-Fastener II	M 20x120	90

Number of fasteners: 4 pieces per metre

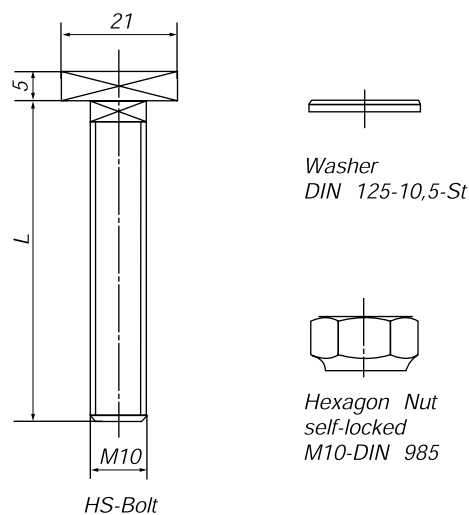
Torque: 150 Nm

1.6.3 TT-Fastener III

(HS-Bolt, Washer, Nut)

for:

KG-09



Ref.No.	Description	L (mm)
539 1460	TT-Fastener III	M 10x30
539 1477	TT-Fastener III	M 10x60

Number of fasteners: 4 pieces per metre

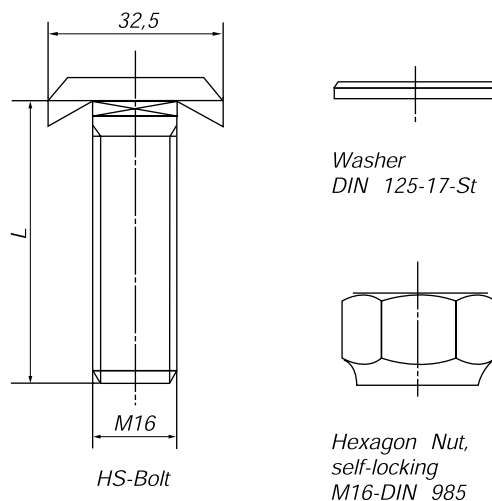
Torque: 15 Nm

1.6.4 TT-Fastener IV

(HS-Bolt, Washer, Nut)

for:

KG-01-V, KG-02-V, KG-03-V, KG-06-V, KG-08-V,
KG-02/PE, KG-03/PE, KG-04/PE



Ref.No.	Description	L (mm)
539 3561	TT-Fastener IV	M 16x40
539 3468	TT-Fastener IV	M 16x60
539 3475	TT-Fastener IV	M 16x80

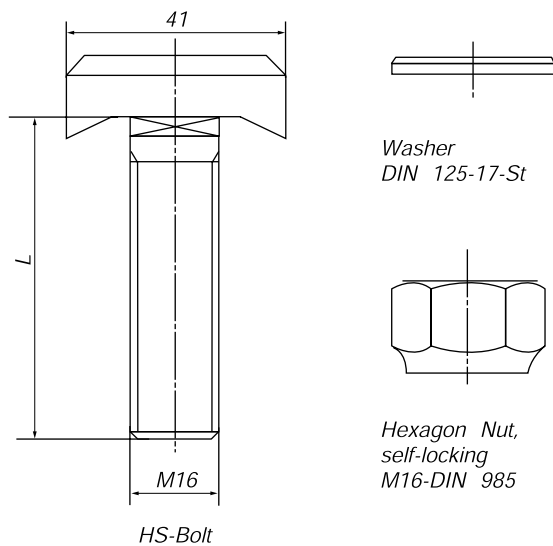
Number of fasteners: 4 pieces per metre
Torque: 60 Nm

1.6.5 TT-Fastener V

(HS-Bolt, Washer, Nut)

for:

KG-04-V, KG-05-V, KG-07-V,
ZP-100-V, ZP-150-V

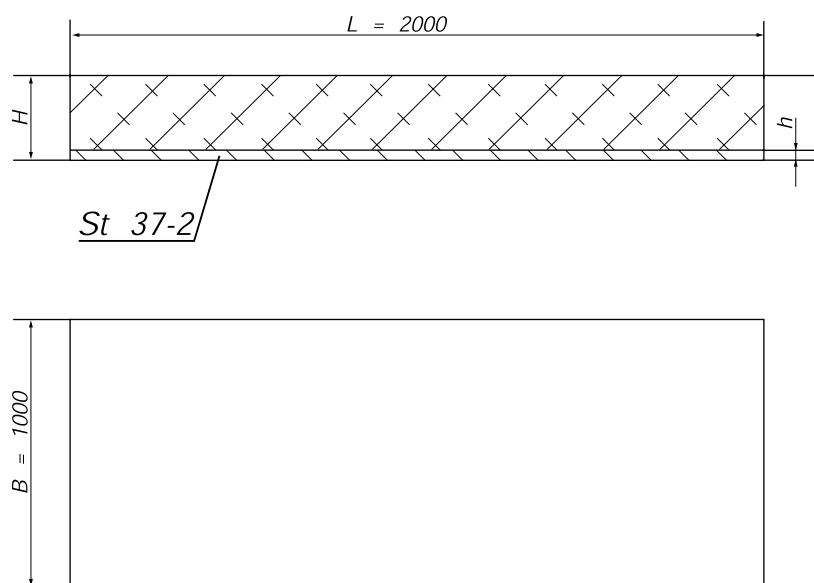


Ref.No.	Description	L (mm)
539 3578	TT-Fastener V	M 16x30
539 3705	TT-Fastener V	M 16x60
539 3712	TT-Fastener V	M 16x80

Number of fasteners: 4 pieces per metre
Torque: 60 Nm

2. Plain Plates and Bars with Metal Base

2.1 Plain Plates with Metal Base „GB“



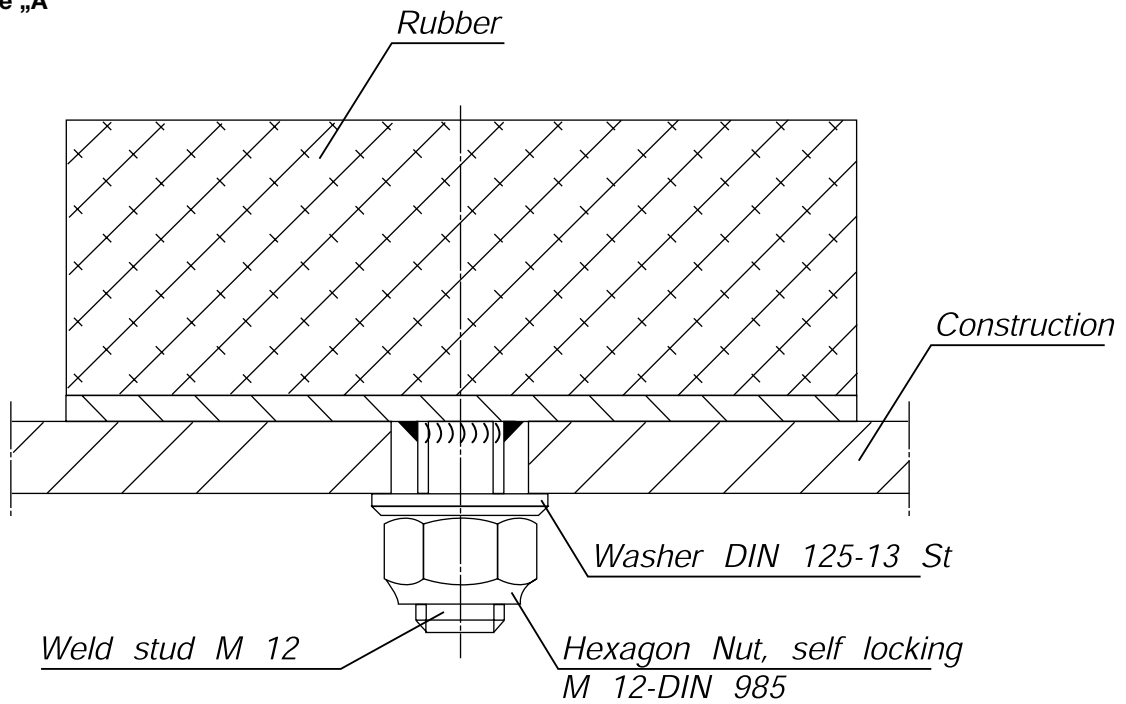
Ref.No. REMASTEEL 60	Ref.No. REMASTEEL 70	Length x Width x Height (mm)	St 37-2 h (mm)	Weight (kg)
539 6609	539 6300	2000x1000x10	3	69
539 6616	539 6317	2000x1000x15	3	80
539 6623	539 6324	2000x1000x20	3	90
539 6630	539 6331	2000x1000x25	3	103
539 6647	539 6348	2000x1000x30	3	114
539 6654	539 6355	2000x1000x40	3	136
539 6661	539 6362	2000x1000x50	3	159
539 6678	539 6379	2000x1000x60	5	213
539 6685	539 6386	2000x1000x80	5	258
539 6692	539 6393	2000x1000x100	5	303

Other dimensions on request.

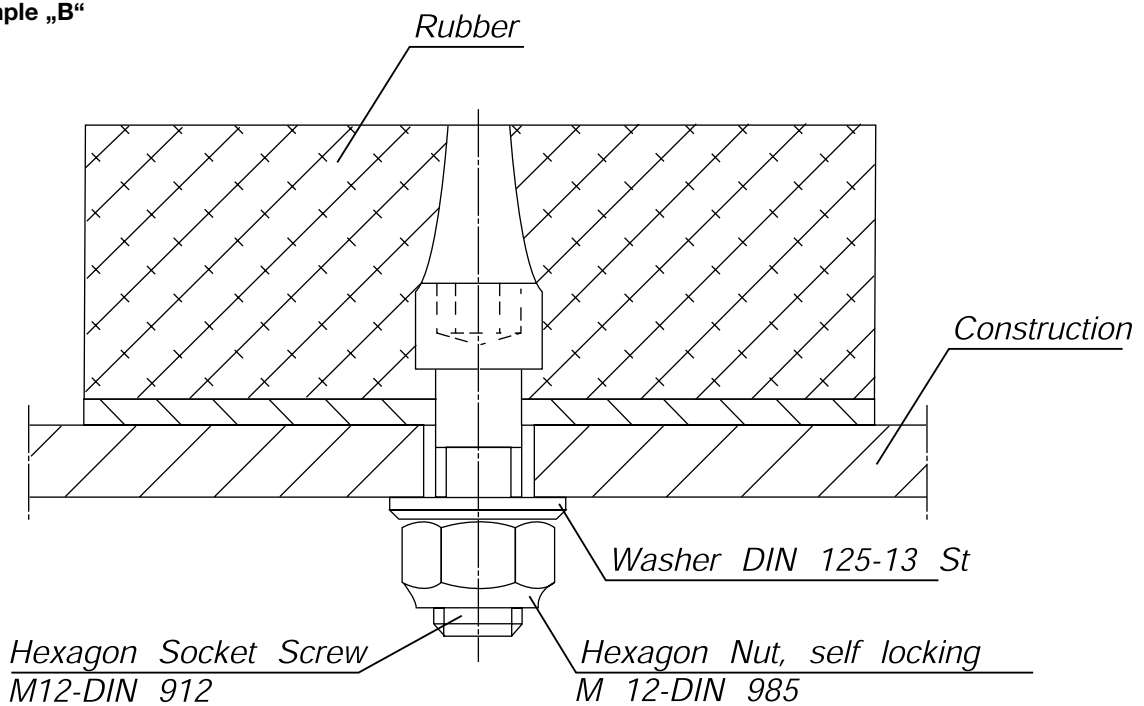
2.1.1 Fixing Examples for Plain Plates with Metal Base

Approx. 6 Fasteners per m²

Example „A“

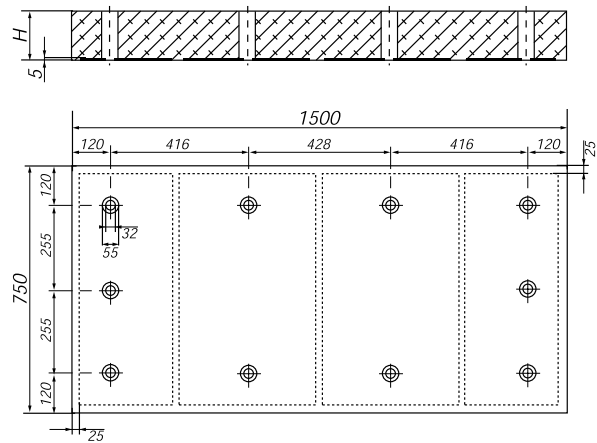
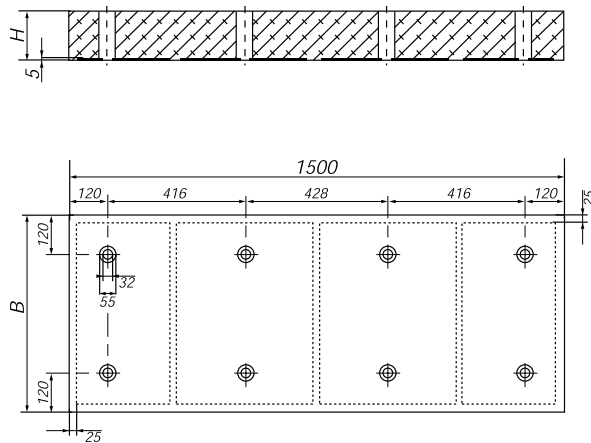


Example „B“



2.2 HDL-Plates

with or without holes



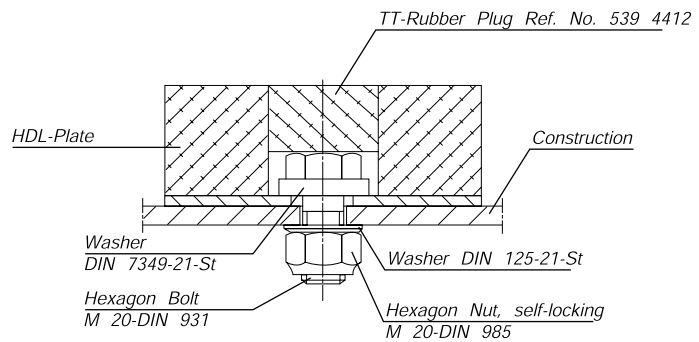
HDL 1500x450xH
HDL 1500x500xH
HDL 1500x600xH

HDL 1500x750xH

Ref.No. without Holes	Ref.No. with Holes	Description	Length x Width x Height (mm)	Weight (kg)
539 6001	539 5404	HDL	1500x450x60	67
539 6049	539 5411	HDL	1500x450x80	81
539 6104	539 5428	HDL	1500x450x100	96
539 6142	539 5435	HDL	1500x450x120	111
539 6180	539 5569	HDL	1500x450x150	133
539 6018	539 5442	HDL	1500x500x60	74
539 6056	539 5459	HDL	1500x500x80	91
539 6111	539 5466	HDL	1500x500x100	107
539 6159	539 5473	HDL	1500x500x120	124
539 6197	539 5576	HDL	1500x500x150	148
539 6025	539 5480	HDL	1500x600x60	90
539 6063	539 5497	HDL	1500x600x80	110
539 6128	539 5507	HDL	1500x600x100	130
539 6166	539 5514	HDL	1500x600x120	157
539 6207	539 5583	HDL	1500x600x150	179
539 6032	539 5521	HDL	1500x750x60	113
539 6070	539 5538	HDL	1500x750x80	138
539 6135	539 5545	HDL	1500x750x100	162
539 6173	539 5552	HDL	1500x750x120	187
539 6214	539 5590	HDL	1500x750x150	224

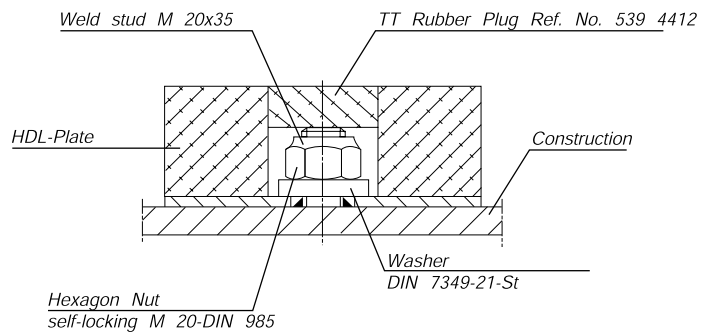
2.2.1 Fastening Examples for HDL-Plates

Example „A“



Ref.No.	Description
539 2696	Hex. bolt M 20x80 mm
539 2775	U-washer 44 mm diameter DIN 7349
539 2768	U-washer 21 mm diameter DIN 125 ST
539 2816	Hex. nut M 20 DIN 985, self-locking
539 4412	Rubber plug, diameter 55 mmx1000 mm long

Example „B“



Ref.No.	Description
539 2720	Stud bolt M 20x35 mm
539 2775	U-washer 44 mm diameter DIN 7349
539 2816	Hex. nut M 20 DIN 985, self-locking
539 4412	Rubber plug, diameter 55 mmx1000 mm long
539 4405	Drill 433K for HDL-plates, diameter 50 mm

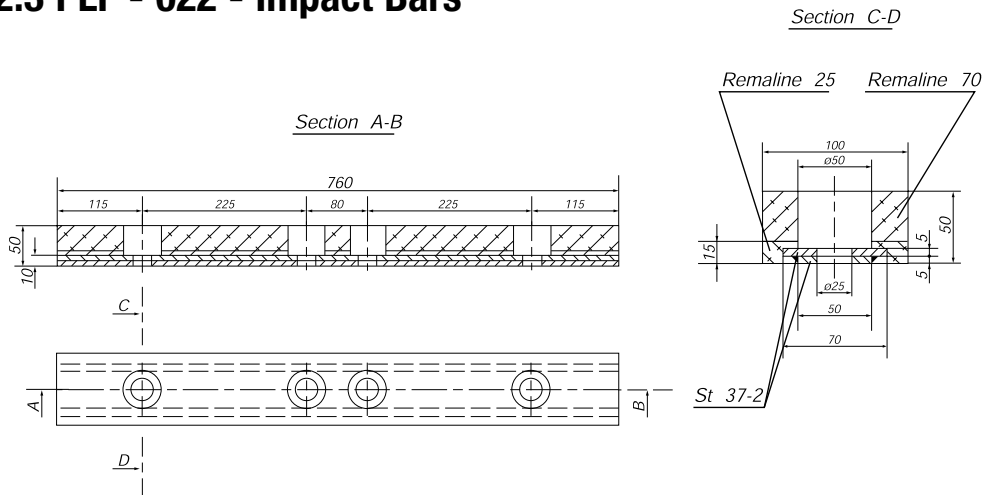
For additional holes:

HDL-Drill Ø 50 mm (for rubber)

HSS-Drill Ø 32 mm (for steel)

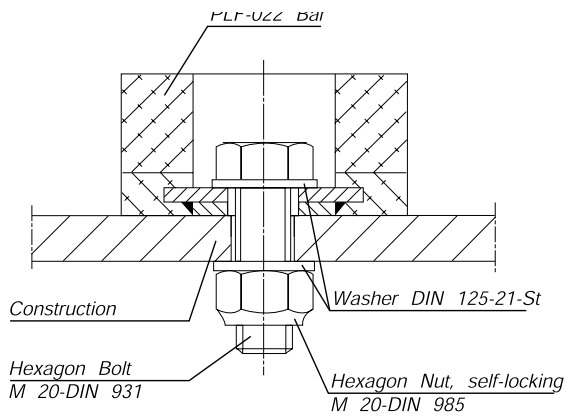
Ref.No.	Description
539 4405	HDL-Drill, Ø 50 mm
539 4412	TT-Rubber Plug Ø 55 mmx1.000 mm long

2.3 PLF - 022 - Impact Bars



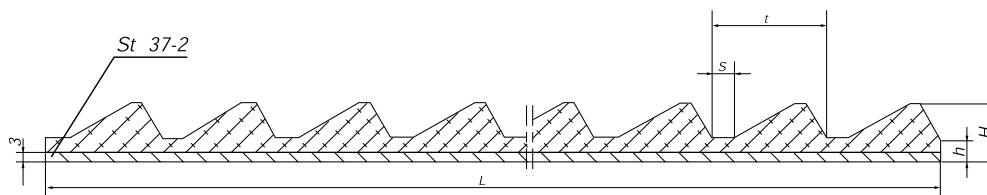
Ref.No.	Description	Weight (kg)
539 5260	Impact Bar PLF-022	6,5

2.3.1 PLF - 022 Fastener



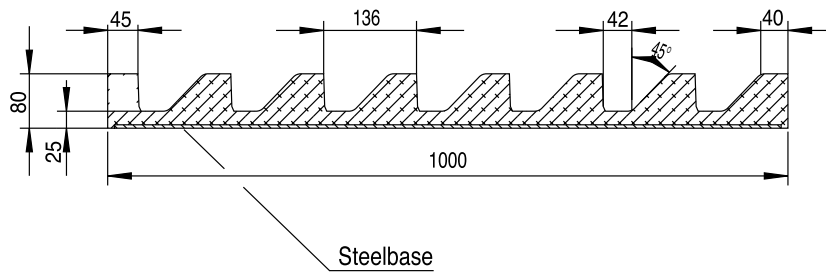
3. Serrated Profile Plates and Bars with Metal Base

3.1 ZP-A Serrated Profile Plates



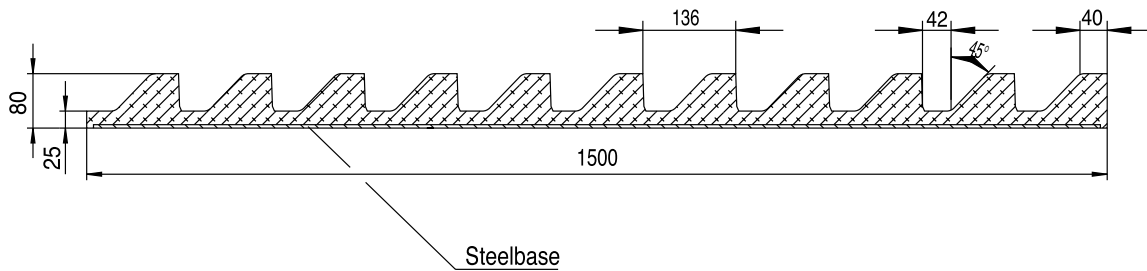
Ref.No.	Description	Length L (mm)	Width B (mm)	Height H (mm)	h (mm)	t (mm)	s (mm)	No. of Profiles	Weight (kg)
539 4278	ZP 15 A	2520	500	15	6	28	6	90	40
539 4292	ZP 35 A	2520	500	35	10	70	8	36	59
539 4319	ZP 55 A	2486	500	55	18	113	22	22	72

3.2 UVZ-Plates



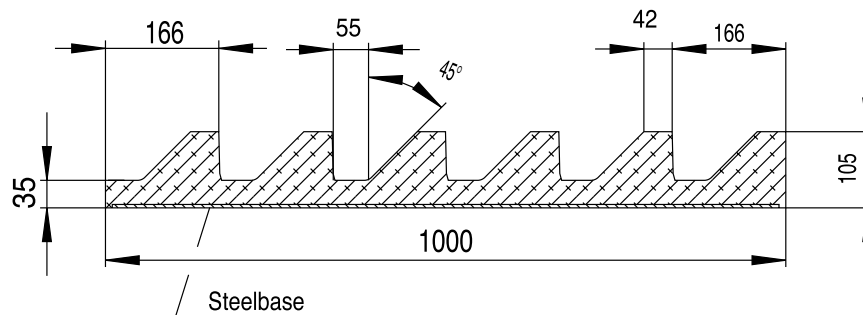
Ref.No.	Description	Length x Width x Height (mm)	Weight (kg)
539 7282	UVZ	1000x450x80	41
539 7323	UVZ	1000x500x80	46
539 7361	UVZ	1000x600x80	54
539 7402	UVZ	1000x750x80	68

NOTE: The steelbase is 10 mm smaller than the rubber plate on all sides. Thickness: 5 mm



Ref.No.	Description	Length x Width x Height (mm)	Weight (kg)
539 9242	UVZ	1500x450x80	60
539 9259	UVZ	1500x500x80	67
539 9266	UVZ	1500x600x80	81
539 9273	UVZ	1500x750x80	101

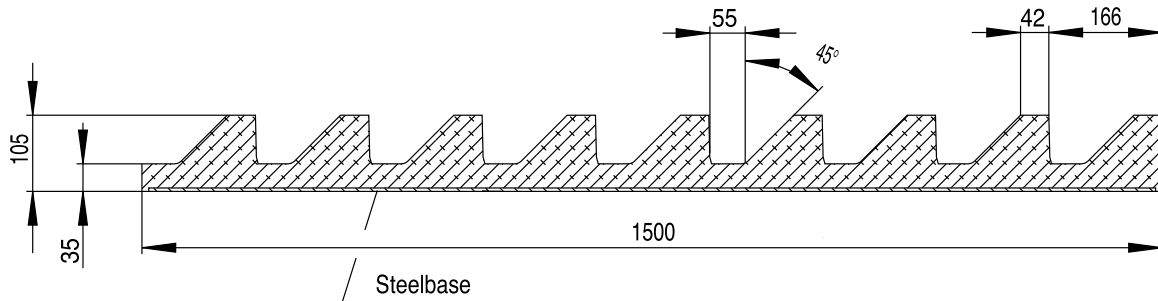
NOTE: The steelbase is 10 mm smaller than the rubber plate on all sides. Thickness: 5 mm



Ref.No.	Description	Length x Width x Height (mm)	Weight (kg)
539 7440	UVZ	1000x450x105	48
539 7488	UVZ	1000x500x105	54
539 7529	UVZ	1000x600x105	63
539 7567	UVZ	1000x750x105	80

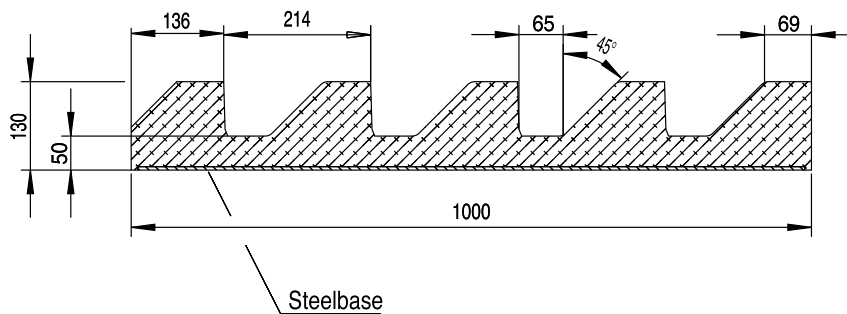
NOTE: The steelbase is 10 mm smaller than the rubber plate on all sides. Thickness: 5 mm

3.2 UVZ-Plates



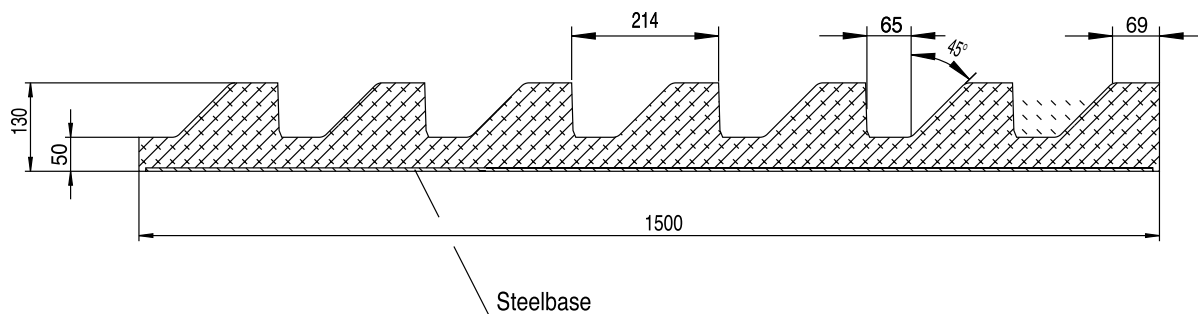
Ref.No.	Description	Length x Width x Height (mm)	Weight (kg)
539 9280	UVZ	1500x450x105	72
539 9297	UVZ	1500x500x105	80
539 9307	UVZ	1500x600x105	96
539 9314	UVZ	1500x750x105	120

NOTE: The steelbase is 10 mm smaller than the rubber plate on all sides. Thickness: 5 mm



Ref.No.	Description	Length x Width x Height (mm)	Weight (kg)
539 7608	UVZ	1000x450x130	61
539 7646	UVZ	1000x500x130	68
539 7684	UVZ	1000x600x130	81
539 9228	UVZ	1000x750x130	102

NOTE: The steelbase is 10 mm smaller than the rubber plate on all sides. Thickness: 5 mm

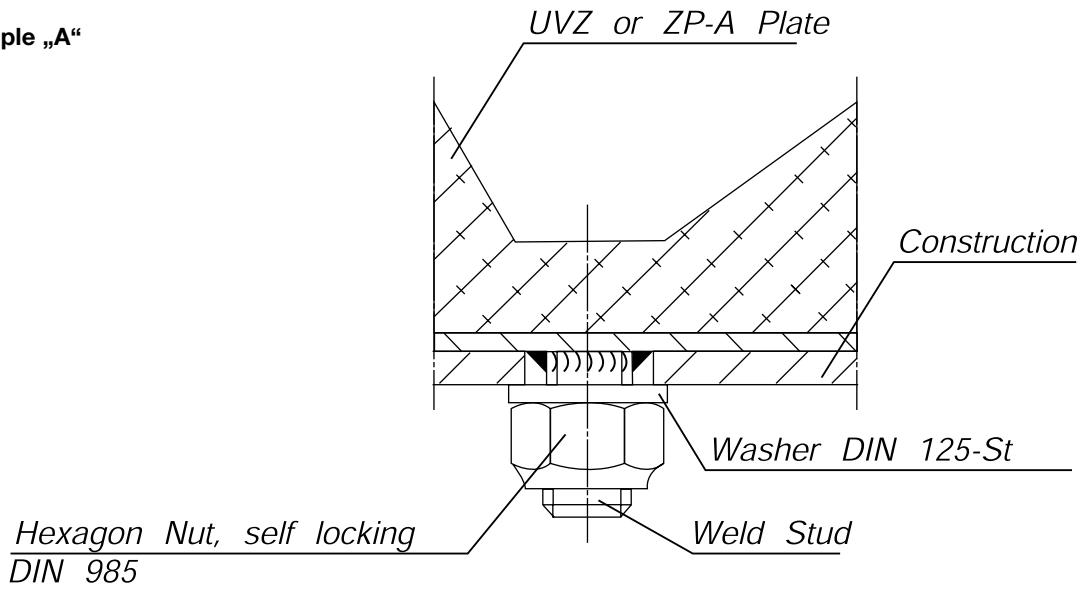


Ref.No.	Description	Length x Width x Height (mm)	Weight (kg)
539 9321	UVZ	1500x450x130	89
539 9338	UVZ	1500x500x130	99
539 9345	UVZ	1500x600x130	119
539 9352	UVZ	1500x750x130	149

NOTE: The steelbase is 10 mm smaller than the rubber plate on all sides. Thickness: 5 mm

3.3 Fastening Examples for ZP-A and UVZ - Plates

Example „A“



Example „B“

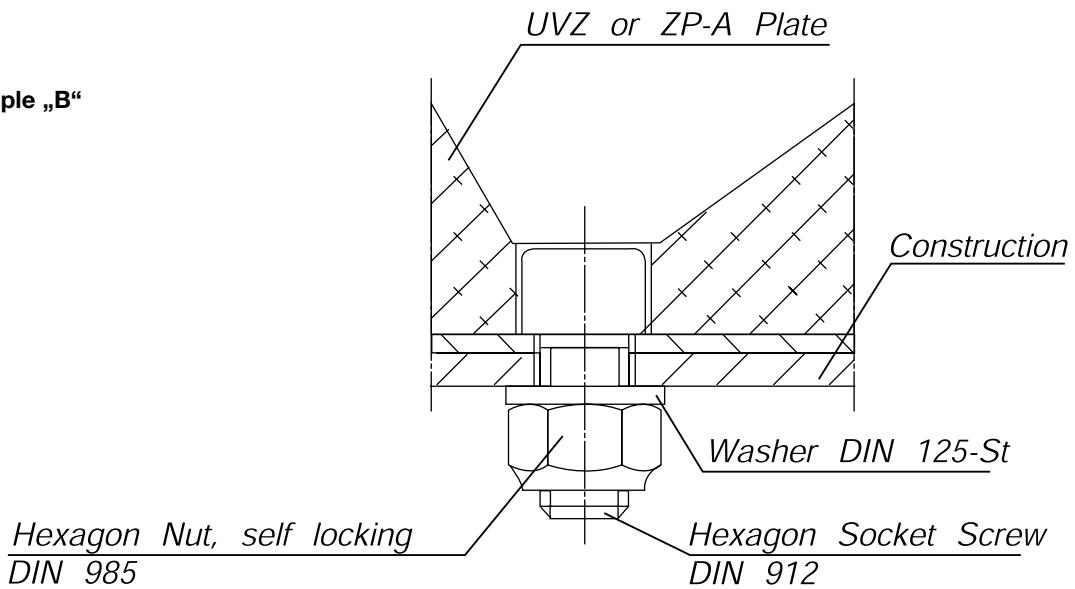
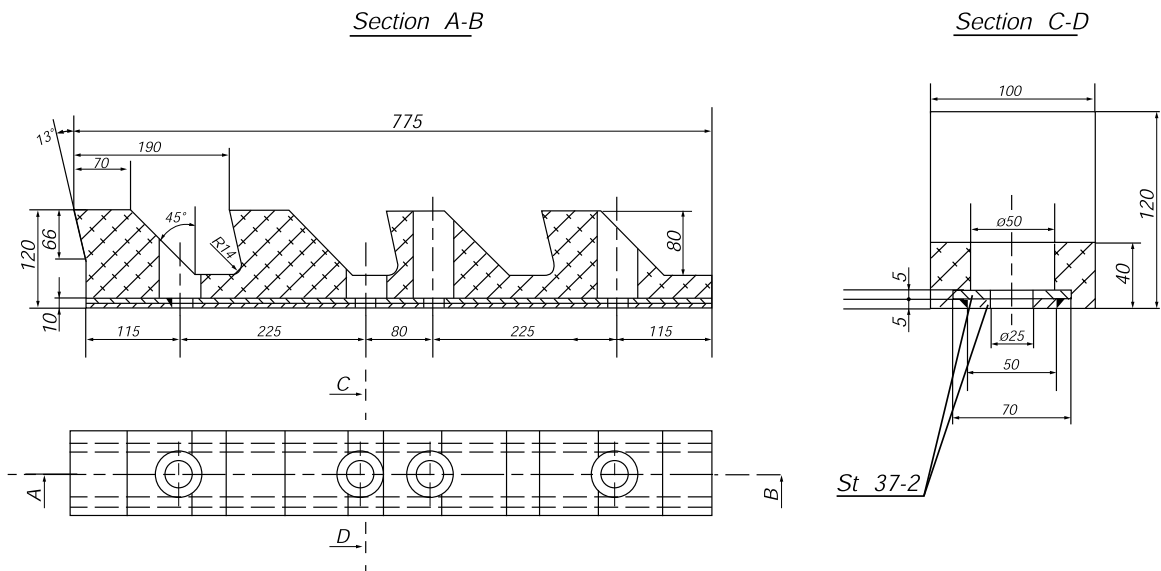


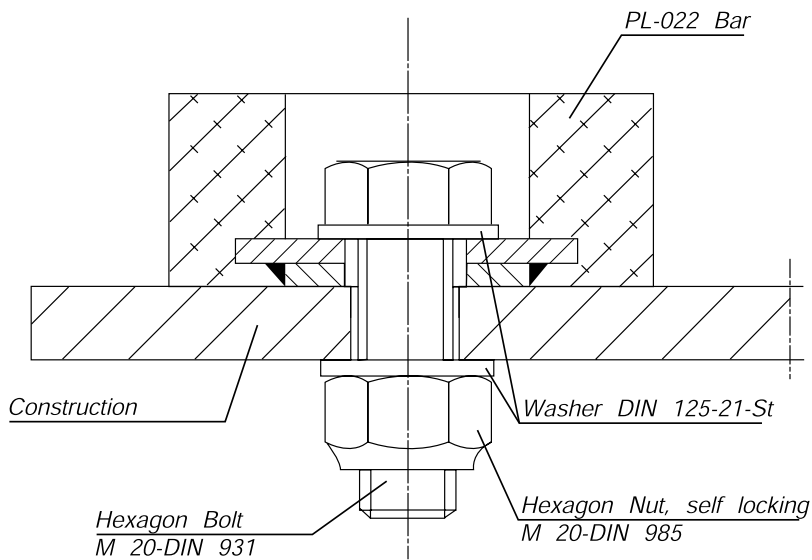
Plate	Number of Fasteners per Plate
ZP 15A	14 pieces M 8
ZP 35A	14 pieces M 12
ZP 55A	14 pieces M 12
UVZ	14 pieces M 16

3.4 PL- 022 Impact Bars



Ref.No.	Description	Weight (kg)
539 5253	Impact Bar PL-022	9,5

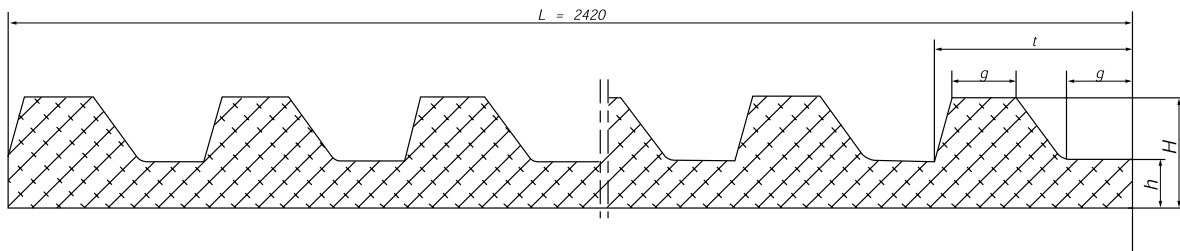
3.4.1 PL- 022 Fastener



4. Profiled Plates

4.1 ZPL Profile Plates

ZPL 40
 ZPL 60
 ZPL 80
 ZPL 100
 ZPL 120



Ref.No.	Description	Length (mm)	Width (mm)	Height (mm)	h (mm)	t (mm)	g (mm)	Nr. of Profiles	Weight (kg)
539 5301	ZPL 40	2420	1400	40	15	80	28	30	105
539 5318	ZPL 60	2420	1400	60	25	110	38	22	162
539 5325	ZPL 80	2420	1400	80	30	134	42	18	208
539 5332	ZPL 100	2420	1400	100	30	161	45	15	242
539 5349	ZPL 120	2420	1400	120	40	220	70	11	300

4.1.1 ZPL Fastener

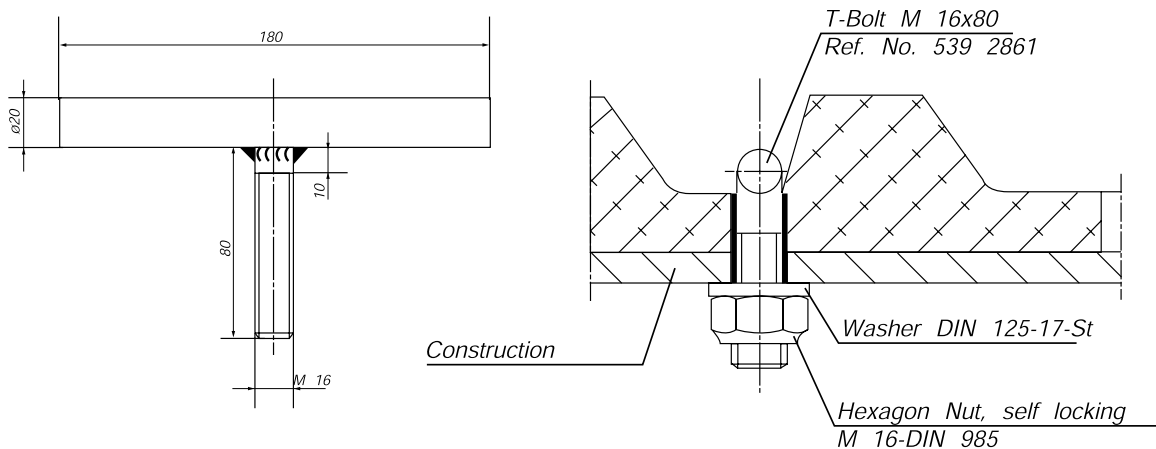
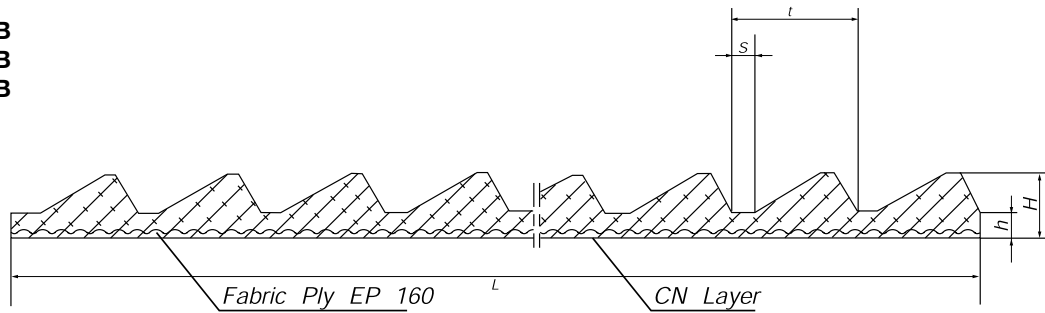


Plate	Number of Fasteners per Plate
ZPL 40	10
ZPL 60	12
ZPL 80	14
ZPL 100	16
ZPL 120	20

Ref.No.	Description
539 2861	T-Bolt M16x80

4.2 ZP-B Serrated Profile Plates

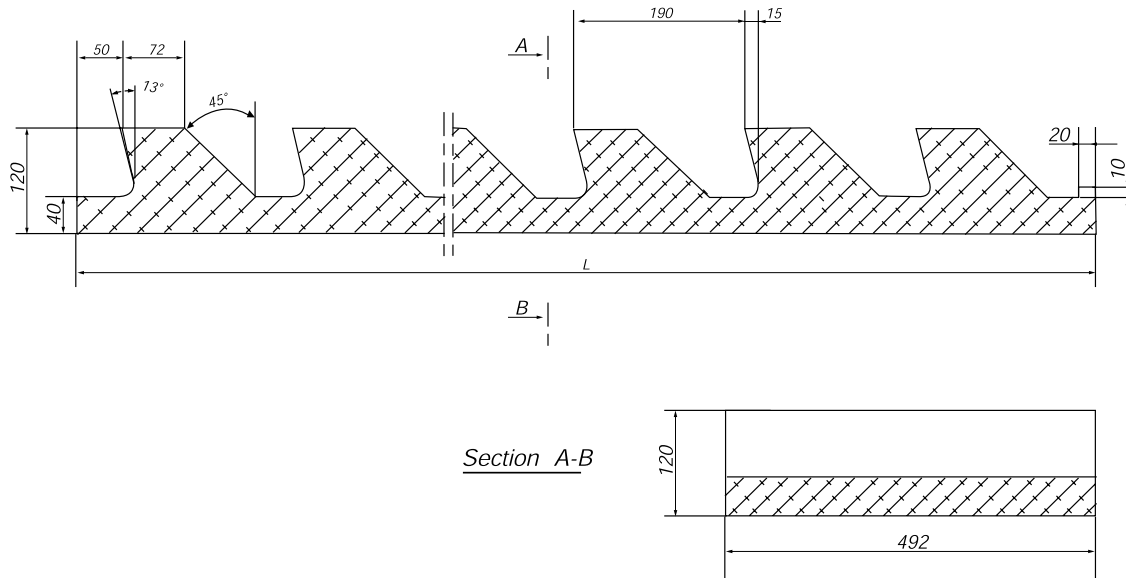
ZP 15 B
ZP 35 B
ZP 55 B



Ref.No.	Description	Length (mm)	Width (mm)	Height (mm)	h (mm)	t (mm)	s (mm)	Nr. of Profiles	Weight (kg)
539 4285	ZP 15 B	2495	500	15	6	28	6	90	17
539 4302	ZP 35 B	2495	500	35	10	70	8	36	32
539 4326	ZP 55 B	2461	500	55	18	113	22	22	47

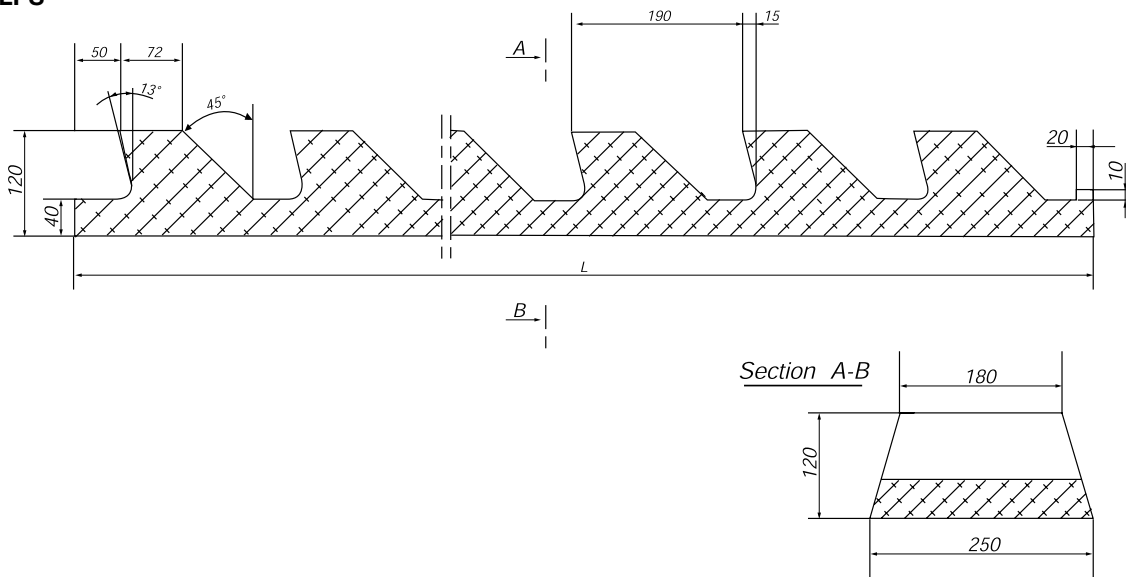
4.3 ZPLP and ZPLPS Profile Plates

ZPLP



Ref.No.	Description	Length (mm)	Width (mm)	Height (mm)	Nr. of Profiles	Weight (kg)
539 5208	ZPLP-A	1760	492	120	9	79
539 5215	ZPLP-B	2520	492	120	13	114

ZPLPS



Ref.No.	Description	Length (mm)	Width (mm)	Height (mm)	Pieces of Profiles	Weight (kg)
539 5167	ZPLPS-A	1760	250	120	9	34
539 5174	ZPLPS-B	2520	250	120	13	48



Distributor:

[Empty white box for distributor information]



STAHLGRUBER

TIP TOP STAHLGRUBER
Otto Gruber GmbH & Co. KG
Industrial Division
Gruber Straße 63
D - 85586 Poing
Phone: +49 (81 21) 7 07 - 2 34
Fax: +49 (81 21) 7 07 - 2 22